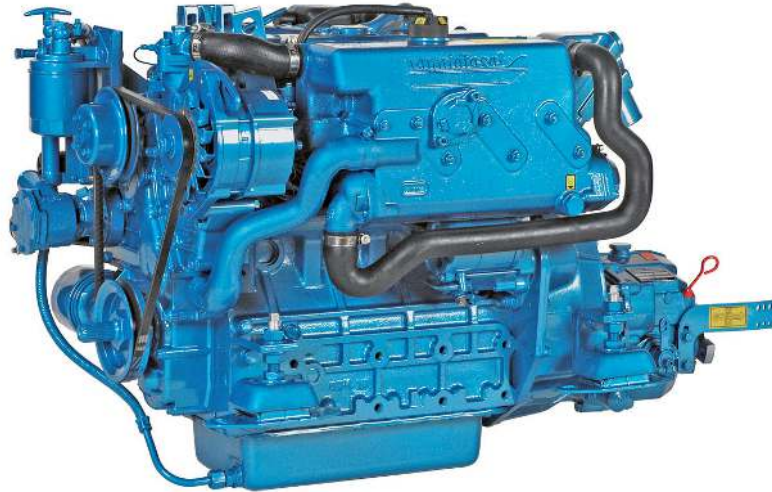


# N4.50

## SPECIFICATIONS



Power at crankshaft	35.42 kW [47.5 hp]	Engine base	Kubota
Displacement	2.197 l [134 in <sup>3</sup> ]	Fuel system	Mechanical Indirect injection
Configuration	4 cylinders in line	Air intake	Natural
Operation type	4 strokes Diesel	Cooling	Closed cooling with heat exchanger
Bore & Stroke	83 x 92.4 mm [3.27 x 3.64 in]	Max mounting angle	15° Front down 15° Front up
Compression ratio	22 : 1	Alternator	12 Volt 120 Amp
Rated speed	2800 rpm	Rating	M4
Idling speed	840 rpm	Emission compliance	RCD 2013/53/EU EPA marine Tier 3 BSO2
Peak torque	146 Nm	Dry weight with TTMC35A	229 kg [504 lbs]
Peak torque speed	1800 rpm		

# N4.50

35.42 kW [47.5 hp] at 2800 rpm

## TECHNICAL DESCRIPTION

### ENGINE BLOCK

- 4 Cylinders in line
- Gear-driven valve train
- Water cooled exhaust manifold

### FUEL SYSTEM

- Mechanical governor
- Cam driven in-line injection pump
- Fuel feed pump with hand primer
- Fuel filter

### LUBRICATION SYSTEM

- Replaceable full-flow oil filter
- Oil dipstick
- Oil cooler

### COOLING SYSTEM

- Closed cooling with heat exchanger
- Gear driven self-priming raw water pump
- Coolant circulating pump
- Water cooled exhaust elbow

### ELECTRICAL SYSTEM & INSTRUMENTATION

- 12 V Electrical system
- 12 V / 120 A alternator
- Electric starter motor
- Electric stop function
- Instrumentation panel, including Start/ Stop, tachometer & alarms
- Extension cable harness with plug-and-play

### AIR INTAKE

- Mounted air cleaner

### OTHER FEATURES

- Flexible engine mounting
- Bracket for control cables

### OPTIONAL EQUIPMENTS & ACCESSORIES

- Keel cooling adaptation
- Complete marine propulsion systems
- Throttle and shift controls
- Additional instrumentation, Flying bridge extension harness
- Polyester frame (Sail Drive version)
- Engine mounting adaptation
- Two pole electrical system
- Water boiler systems
- Stuffing box connections
- Complete fuel systems
- Complete exhaust systems
- SOLAS approved version

## RATINGS

- Up to 3000 annual operating hours
- Load factor up to 40%
- Full power for no more than 1 hour out of each 12 hours of operation. The remaining time must be at, or below cruising speed

## TRANSMISSIONS

### SHAFT LINE

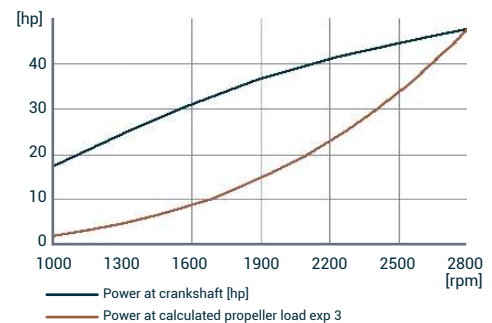
- TTM345A - TM345H
- TMC260
- TMC60
- TTMC35A - TTMC35P
- ZF25 - ZF25M

### SAIL DRIVE

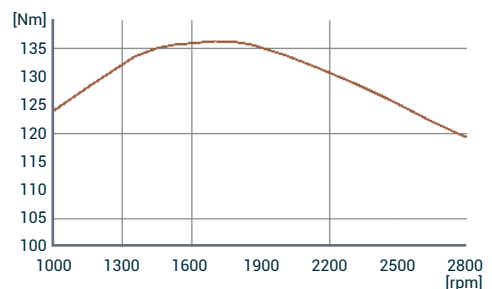
- Sail Drive
- Contact your Nanni representative for more details and availability about transmissions types and models range.

## PERFORMANCE CURVES

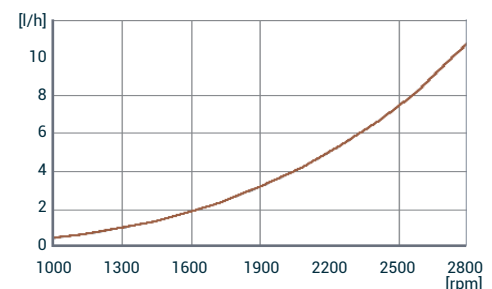
### POWER AT CRANKSHAFT



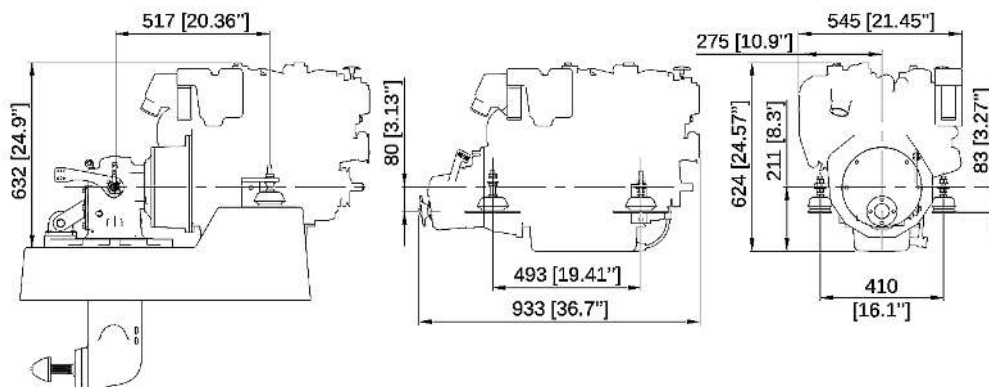
### TORQUE AT CRANKSHAFT



### FUEL CONSUMPTION



## DIMENSIONS WITH TTMC35A



## NANNI INDUSTRIES S.A.S.

11, Avenue Mariotte - Zone Industrielle  
33260 La Teste - France  
Tel: +33 (0)5 56 22 30 60  
Fax: +33 (0)5 56 22 30 79

Technical data according to ISO 8665. This document is not contractual. Nanni reserves the right to modify any of the characteristics stated in this document without notice, in a constant effort to improve the quality of its products. Images and illustrations may show non standard equipments. All combination of equipment & accessory are not available.

DGBXXC01007