

# N9.430 CR2

## SPECIFICATIONS



Power at crankshaft	317 kW [431hp]	Engine base	John Deere
Displacement	9 l [549 in³]	Fuel system	Direct injection High pressure Common Rail Electronically controlled
Configuration	6 cylinders in line	Air intake	Turbocharged Air-to-seawater aftercooler
Operation type	4 strokes Diesel	Cooling	Closed cooling with heat exchanger
Bore & Stroke	118,4 x 136 mm [4,66 x 5,35 in]	Max mounting angle	0° Front down 12° Front up
Compression ratio	16,3 : 1	Alternator	24 Volt 100 Amp
Rated speed	2300 rpm	Rating	M3
Idling speed	650 rpm	Emission compliance	IMO Marpol Annex VI EPA marine Tier 3 NRMM 97/68/EC RCD2 2013/53/EU
Peak torque	1730 Nm	Dry weight	948 kg [2089 lbs]
Peak torque speed	1700 rpm		

# N9.430 CR2

317 kW [431hp] at 2300 rpm

## TECHNICAL DESCRIPTION

### ENGINE BLOCK

- Replaceable wet-type cylinder liners
- 4 Valves per cylinder
- Watercooled exhaust manifold

### FUEL SYSTEM

- Primary & secondary fuel filter
- Common Rail fuel injection system

### LUBRICATION SYSTEM

- Replaceable full-flow oil filter
- Oil dipstick
- Oil cooler

### COOLING SYSTEM

- Closed cooling with heat exchanger
- Gear driven self-priming raw water pump
- Coolant circulating pump
- Water cooled exhaust elbow

### ELECTRICAL SYSTEM & INSTRUMENTATION

- 24 V / 100 A alternator
- 24 V starter motor
- Complete instrumentation including key switch and alarms
- Extension cable harness with plug-in connection

### AIR INTAKE

- Water cooled turbocharger
- Air-to-seawater aftercooler

### OTHER FEATURES

- Flywheel SAE 1
- Flexible engine mounting
- Damper pulley

### OPTIONAL SYSTEMS & ACCESSORIES

- Keel cooling adaptation
- Dry exhaust elbow
- Complete marine propulsion systems
- Marine transmission adaptation kits
- Throttle and shift controls
- Additional instrumentation, Flying bridge extension harness
- Rigid engine mounting
- Power take off
- Type approval
- Flywheel SAE 2

### RATINGS

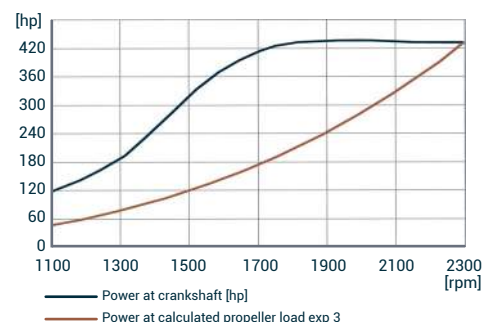
- Up to 4000 annual operating hours
- Load factor up to 50%
- Full power for no more than 4 hours out of each 12 hours of operation. The remaining operation time must be at or below cruising speed.

### TRANSMISSIONS

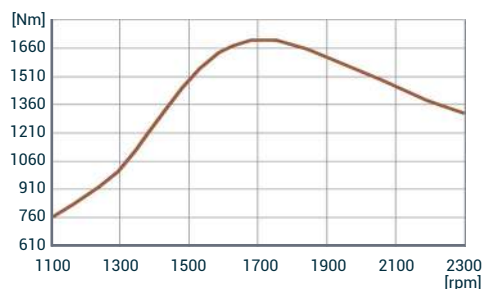
- Contact your Nanni representative for more details and availability about transmissions types and models range

## PERFORMANCE CURVES

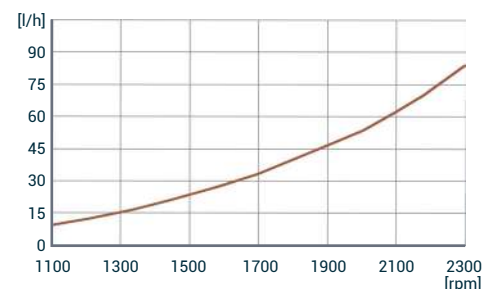
### POWER AT CRANKSHAFT



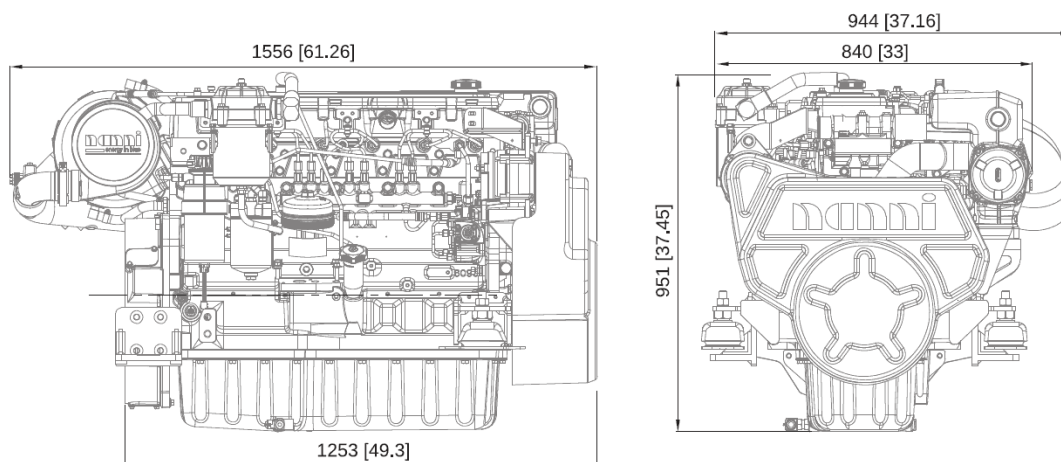
### TORQUE AT CRANKSHAFT



### FUEL CONSUMPTION



## DIMENSIONS



## NANNI INDUSTRIES S.A.S.

11, Avenue Mariotte - Zone Industrielle  
33260 La Teste - France  
Tel: +33 (0)5 56 22 30 60  
Fax: +33 (0)5 56 22 30 79

Technical data according to ISO 8665. This document is not contractual. Nanni reserves the right to modify any of the characteristics stated in this document without notice, in a constant effort to improve the quality of its products. Images and illustrations may show non standard equipments. All combination of equipment & accessory are not available.

DGBXXC01040