

N4.38

SPECIFICATIONS



Power at crankshaft	27.6 kW [37.5 hp]
Displacement	1.498 l [91 in³]
Configuration	4 cylinders in line
Operation type	4 strokes Diesel
Bore & Stroke	78 x 78.4 mm [3.07 x 3.09 in]
Compression ratio	23 : 1
Rated speed	3000 rpm
Idling speed	850 rpm
Peak torque	94.8 Nm
Peak torque speed	2200 rpm

Engine base	Kubota
Fuel system	Mechanical Indirect injection
Air intake	Natural
Cooling	Closed cooling with heat exchanger
Max mounting angle	15° Front down 15° Front up
Alternator	12 Volt 120 Amp
Rating	M4
Emission compliance	RCD 2013/53/EU EPA marine Tier 3 BSO 2
Dry weight	
with TMC60	153 kg [337 lbs]
with Sail Drive SP60	184 kg [405 lbs]

N4.38

27.6 kW [37.5 hp] at 3000 rpm

TECHNICAL DESCRIPTION

ENGINE BLOCK

- 4 Cylinders in line
- Gear-driven valve train
- Water cooled exhaust manifold

FUEL SYSTEM

- Mechanical governor
- Cam driven in-line injection pump
- Fuel feed pump with hand primer
- Fuel filter

LUBRICATION SYSTEM

- Replaceable full-flow oil filter
- Oil dipstick
- Oil cooler

COOLING SYSTEM

- Closed cooling with heat exchanger
- Gear driven self-priming raw water pump
- Coolant circulating pump
- Water cooled exhaust elbow

ELECTRICAL SYSTEM & INSTRUMENTATION

- 12 V Electrical system
- 12 V / 120 A alternator
- Electric starter motor
- Electric stop function
- Instrumentation panel, including Start/ Stop, tachometer & alarms
- Extension cable harness with plug-and-play

AIR INTAKE

- Mounted air cleaner

OTHER FEATURES

- Flexible engine mounting
- Bracket for control cables

OPTIONAL EQUIPMENTS & ACCESSORIES

- Keel cooling adaptation
- Complete marine propulsion systems
- Throttle and shift controls
- Additional instrumentation, Flying bridge extension harness
- Polyester frame (Sail Drive version)
- Engine mounting adaptation
- Two pole electrical system
- Water boiler systems
- Stuffing box connections
- Complete fuel systems
- Complete exhaust systems
- SOLAS approved version

RATINGS

- Up to 3000 annual operating hours
- Load factor up to 40%
- Full power for no more than 1 hour out of each 12 hours of operation. The remaining time must be at, or below cruising speed

TRANSMISSIONS

SHAFT LINE

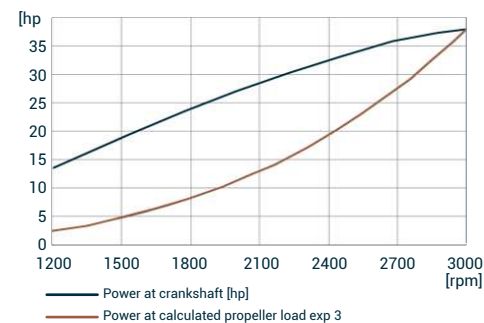
- TMC40
- TTMC35A - TTMC35P
- ZF12 - ZF12M
- ZF25A

SAIL DRIVE

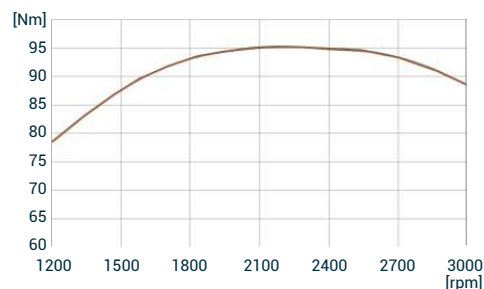
- Sail Drive SP60
- Contact your Nanni representative for more details and availability about transmissions types and models range.

PERFORMANCE CURVES

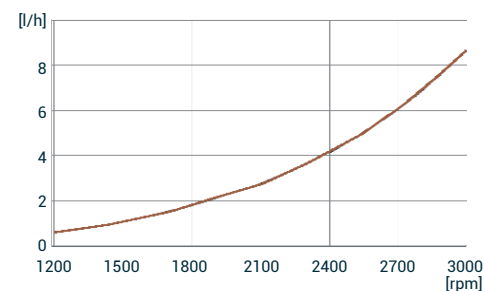
POWER AT CRANKSHAFT



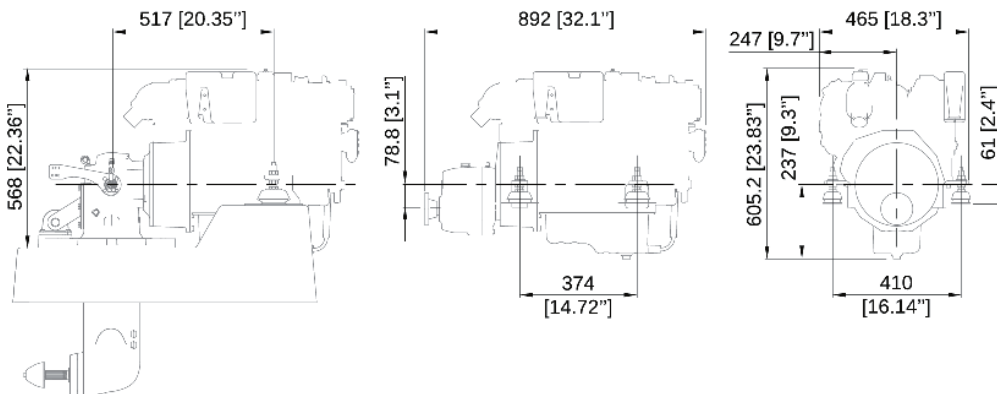
TORQUE AT CRANKSHAFT



FUEL CONSUMPTION



DIMENSIONS WITH SP60 / TMC60



NANNI INDUSTRIES S.A.S.

11, Avenue Mariotte - Zone Industrielle
33260 La Teste - France
Tel: +33 (0)5 56 22 30 60
Fax: +33 (0)5 56 22 30 79

Technical data according to ISO 8665. This document is not contractual. Nanni reserves the right to modify any of the characteristics stated in this document without notice, in a constant effort to improve the quality of its products. Images and illustrations may show non standard equipments. All combination of equipment & accessory are not available.

DGBXXC01005